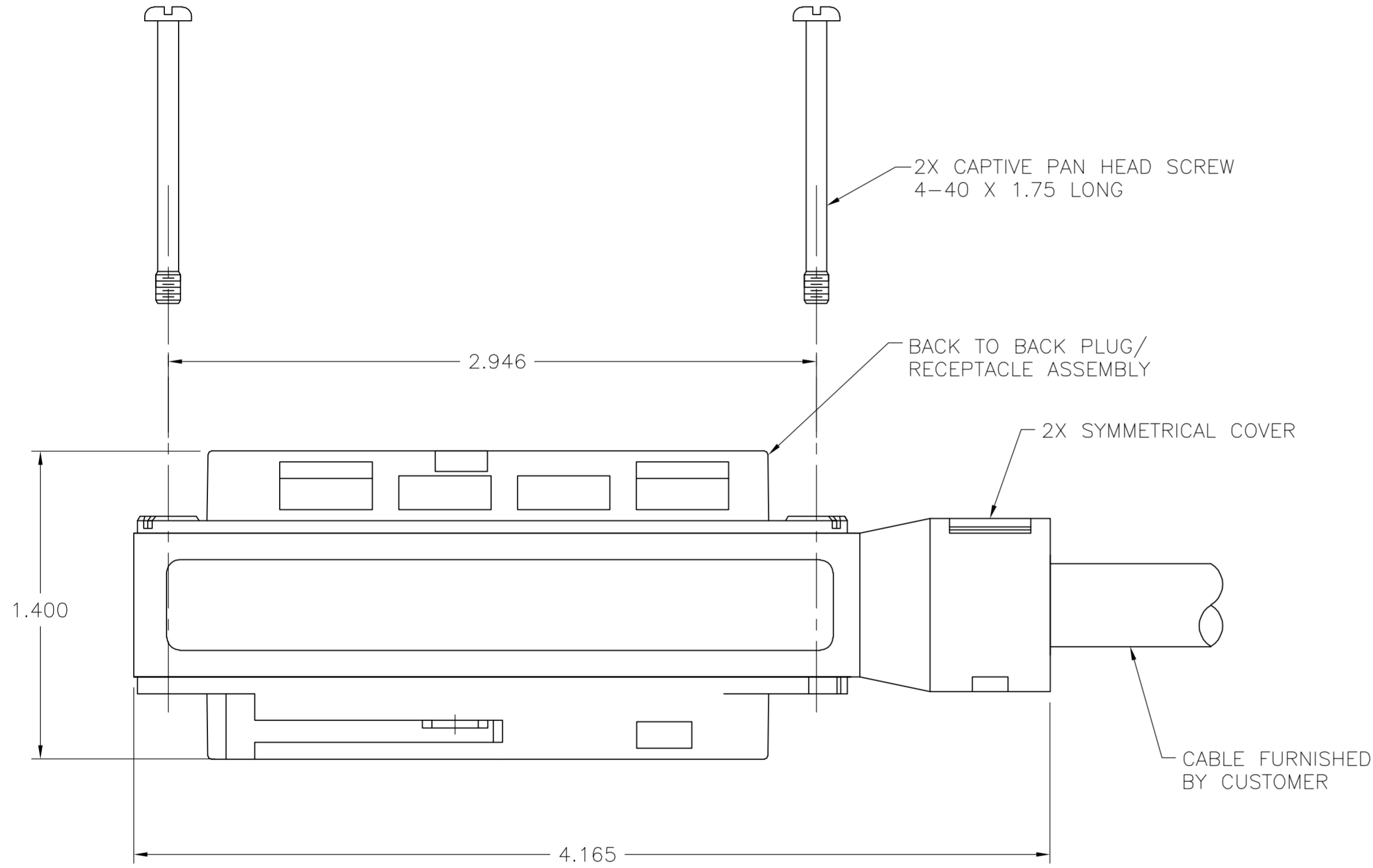


THIS DRAWING IS UNPUBLISHED. RELEASED FOR PUBLICATION
 © COPYRIGHT BY TYCO ELECTRONICS CORPORATION. ALL RIGHTS RESERVED.

LOC	DIST	REVISIONS					
GP	00	P	LTR	DESCRIPTION	DATE	DWN	APVD
		0		RELEASED PER EC 0513-0288-05	05OCT05	BM	WM

- 1 MATERIAL:
 HOUSING & COVER: THERMOPLASTIC(BLACK)
 TERMINALS: GOLD OVER NICKEL PLATED HIGH STRENGTH COPPER ALLOY.
 HARDWARE: ZINC PLATED STEEL.
- KIT SHOWN ASSEMBLED, HOWEVER, HARDWARE AND COVERS ARE INSTALLED AFTER CABLE IS APPLIED TO CONNECTORS.
 - COVERS AND HARDWARE SHIPPED UNASSEMBLED.
 - WIRE SIZE: 26 AWG SOLID OR 24 AWG. 7 STRANDS OF COPPER CONDUCTORS. MAX INSULATION DIAMETER OF .045 IS ACCEPTABLE FOR MOST APPLICATIONS.
 - CABLE RANGE: ϕ .380-.400
 - PLUG & RECEPTACLE ARE BONDED TOGETHER.
 - THE CONTACT SURFACES OF THE TERMINALS ARE COATED WITH LUBRICANT.
 - ALL DIMENSIONS SHOWN ARE FOR REFERENCE ONLY UNLESS OTHERWISE SPECIFIED.
 - CENTER TO CENTER SPACING OF TERMINALS IS .085.
 - KIT SHIPPED IN POLY BAG FORM.



5553257-1
 PART NUMBER

THIS DRAWING IS A CONTROLLED DOCUMENT.		DWN B. MCMASTER	05OCT05	tyco Tyco Electronics Corporation	
DIMENSIONS: INCHES		CHK W. MILLHIMES	05OCT05	Harrisburg, PA 17105-3608	
TOLERANCES UNLESS OTHERWISE SPECIFIED:		APVD W. MILLHIMES	05OCT05	NAME	
0 PLC ± -		PRODUCT SPEC	BACK TO BACK KIT, 50 POSITION, B SLOT, CHAMP-LOK, PLUG/ RECEPTACLE, THIN FLANGE		
1 PLC ± -		APPLICATION SPEC	SIZE	CAGE CODE	DRAWING NO
2 PLC ± -		WEIGHT	A2	00779	C=5553257
3 PLC ± -		FINISH	SCALE	SHEET	REV
4 PLC ± -			2:1	1 of 1	0
ANGLES ± -		CUSTOMER DRAWING			
MATERIAL		RESTRICTED TO			
1					

5553257